

**TECHNICAL SPECS: SANUVAIR® S1000 VOC
STAND-ALONE SMOKING-ROOM PURIFIER**

DESCRIPTION

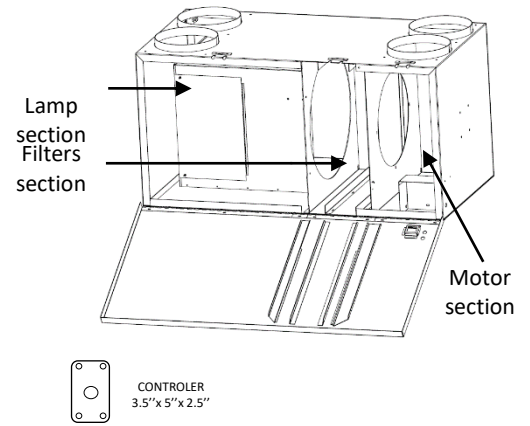
The **SANUVAIR® S1000 VOC** is designed to recirculate continuously the air in front of the UVC and UVV lamps, thus preventing the bad odors and smoke to escape from the smoking area. The VOC controller will automatically trigger the UVV lamp, reacting to smoke concentration until it clears off. Maximum size room: 10,000 cubic feet.

FAN

- ROSENBERG 115V (part MSCMTR9), 230V (part MSCMTR10)
- Curved backward impeller, so the unit could be installed in any position
- 1750 cfm no load; 450W, 120V 3.75A, 230V 1.88A

UNIT

- Aluminum casing, textured paint, 59 pounds (26.8 kg)
- Dimension 20" x 20" x 40" (50.8 cm x 50.8 cm x 101.6 cm)
- Whole unit: Fused 10A, 120V-634W, 5.28A (peak 7.28A), 230V-2.64A
- Two 8" round exhaust, two 8" round intakes with collars
- Single access door: to motor, filters and lamp's reflector
- Limit switch on door access. Comes with 6 ft cord (3 prong plug)
- 1000 CFM under load, 70 db at 5 ft
- Aluminum reflector with access door to UV lamp
- Middle section: 2 filters 1"x 20" x 20" (4 replacement filters supplied)
- 4 suspension rod's inserts on horizontal, 4 inserts on vertical



SUGGESTED INSTALLATION

STANDARD EQUIPMENT

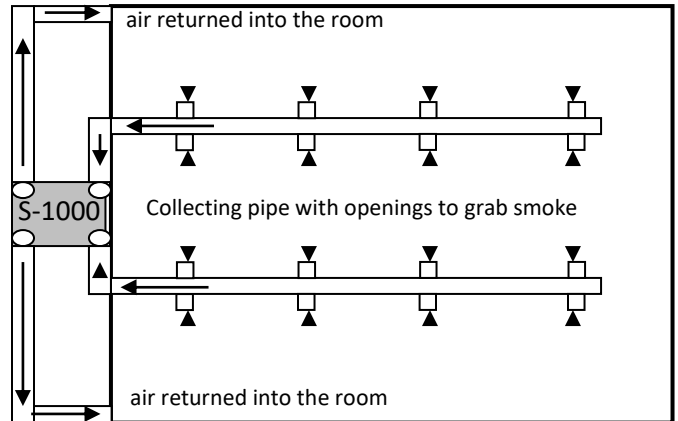
- 1 "J" Lamp 16" (part LMPHGXJ160-8 6" exposed) with 20" UV-C (germicidal) / 6" UV-V (oxidation)
- 1 "J" Lamp 16" (part LMPHXJ160) with 28" UV-V (oxidation) tied with 20 feet of wiring to:
- 1 VOC controller (part MSCBSH1) mounted in a polycarbonate housing (included)
- 2 pleated pre-filter 1 x 20 x 20 (part MSCFTR2), 1 pleated filter 4" x 20" x 20" 95% (part MSCFTR1)
- 2 Multi voltage ballast -120/277 (part BST120/277SHS)

WARRANTY

- Ballast :3-years, motor :1-year, lamp: 2-years

OPTION

MSCSWC12 – Variable speed control for 120 volts



SPECIFICATIONS

A stand-alone 1000CFM UVC-UVV unit in a light chassis for air treatment into a maximum size 10,000 cubic feet smoking room. The unit can be mounted either on the ceiling or on a wall to process odor at source and deliver purified air toward the exit door. It will also include a VOC controller that will shut out the UVV lamp when reaching an acceptable level of VOC's.

MODEL	QTY	COMMENTS	PROJECT:	Drawings for: ○ information ○ approval
			LOCATION:	
			ARCHITECT:	
			ENGINEER:	
			CONTRACTOR:	
			DATE:	