

**TECHNICAL SPECS: SANUVAIR® S1000 OZD
STAND ALONE GARBAGE ROOM PURIFIER**

DESCRIPTION

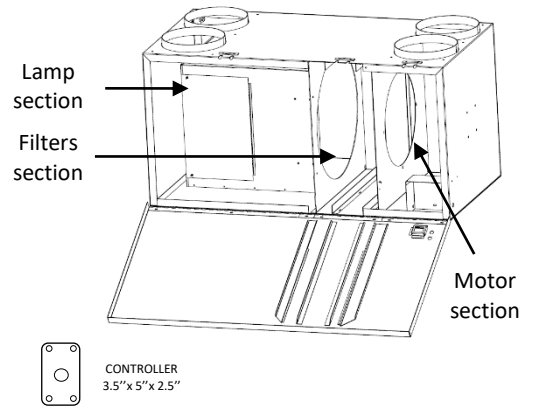
The **SANUVAIR® S1000** is designed to recirculate continuously the air in front of the UVC and UVV lamps, thus preventing the proliferation of harmful bacteria and neutralizing bad odors emanating from garbage putrefaction in compactors and garbage containers. The hydroxyl controller will automatically react to a concentration of 0.025 ppm. Maximum size room 10,000 cu.ft.

FAN

- ROSENBERG 115V (part MSCMTR9), 230V (part MSCMTR10)
- Curved backward impeller, so the unit could be installed in any position
- 1750 cfm no load; 450W, 120V 3.75A, 230V 1.88A

UNIT

- Aluminum casing, textured paint, 59 pounds (26.8 kg)
- Dimension 20" x 20" x 40" (50.8 cm x 50.8 cm x 101.6 cm)
- Whole unit: Fused 10 amps, 120V-634W, 5.28A (peak 7.28A), 230V-2.64A
- Two 8 in round exhaust, two 8 in round intakes with collars
- Single access door: to motor, filters and lamp's reflector
- Limit switch on door access. Comes with 6 ft cord (3 prong plug)
- 1000 CFM under load, 70 db at 5 ft
- Aluminum reflector with access door to UV lamp
- Middle section: 2 filters 1" x 20" x 20" (4 replacement filters supplied)
- 4 suspension rod's inserts on horizontal, 4 inserts on vertical



SUGGESTED INSTALLATION

EQUIPMENT

- 1 "J" shaped lamp 16" (part LMPHGXJ160-8 6" exposed) with 20" UV-C (germicidal) / 6" UV-V (oxidation)
- 1 "J" shaped lamp 16" (part LMPHXJ160) with 28" UV-C UV-V (oxidation) tied with 20ft of wiring to
- 1 hydroxyl controller (part MSC12) mounted in a polycarbonate housing (item MSCBOX1)
- 2 pleated pre-filter 1" x 20" x 20" (part MSCFTR2), 1 pleated filter 4" 95% (part MSCFTR1)
- 2 Multi voltage ballasts 120/240 (part BST120/277SHS)

WARRANTY

- Ballast: 3-years, motor: 1-year, lamps: 2-years

OPTION

MSCSWC12 – Variable speed control for 120 volts

SPECIFICATIONS

Stand-alone 1000 cfm UVC-UVV unit in a light chassis for air treatment in a maximum size garbage room of 10,000 cubic feet. The unit can be mounted either on the ceiling or on a wall to process odor at source and deliver purified air over the exit door. It will also include a hydroxyl controller that will shut out the UVV lamp when reaching a concentration of 0.025 ppm.



MODEL	QTY	COMMENTS	PROJECT:	Drawings for: ○ information ○ approval
			LOCATION:	
			ARCHITECT:	
			ENGINEER:	
			CONTRACTOR:	
			DATE:	