

**TECHNICAL SPECS: SANUVAIR® S1000 CRO  
STAND-ALONE WHITE ROOM PURIFIER**

**DESCRIPTION**

The SANUVAIR® S1000 is designed to recirculate continuously the air in front of the two UVC lamps thus filtering and sterilizing at maximum the air in the room. The unit can be installed in another room to clean up the air without taking some inner space. It is equipped with HEPA high filtration.

**FAN**

- ROSENBERG 115v (part MSCMTR9), 230v (part MSCMTR10)
- Curved backward impeller, so the unit could be installed in any position
- 1750 cfm no load; 450w, 120v 3.75a, 230v 1.88a

**UNIT**

- Aluminum casing, textured paint, 59pounds (26.8KG)
- Dimension 20" x 20" x 40" (50.8cm X 50.8cm X 101.6 cm)
- Whole unit: fused 10a, 120v-624w 5.2a (peak 7.18) 230v-2.6a
- Two 8" round exhaust, two 8" round intakes with collars
- Single access door: to motor, filters and lamp's reflector
- Limit switch on door access. Comes with 6 ft cord (3 prong plug)
- 1000 CFM under load, 70 db at 5 ft
- Aluminum reflector with access door to UV lamp
- Middle section: 2 filters 1" x 20" x 20", 1 filter 4" x 20" x 20"
- 4 suspension rod's inserts on horizontal, 4 inserts on vertical

**STANDARD EQUIPMENT**

- 2 "J" Lamps 16" (part LMPHGJ160) providing a total of 56" of UVC (germicidal)
- 2 pleated pre-filter 1" x 20" x 20" (part MSCFTR2)
- 1 HEPA filter 99.97% with metal frame 4" x 20" x 20" (part MSCFTR12)
- 2 Multi voltage ballasts -120/277 (part BST120/277SHS)

**WARRANTY**

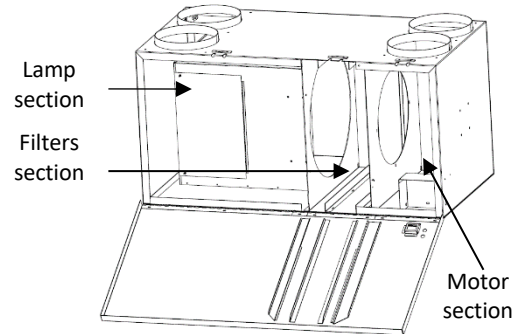
- Ballast :3-years, motor :1-year, lamps: 2-years

**SPECIFICATIONS**

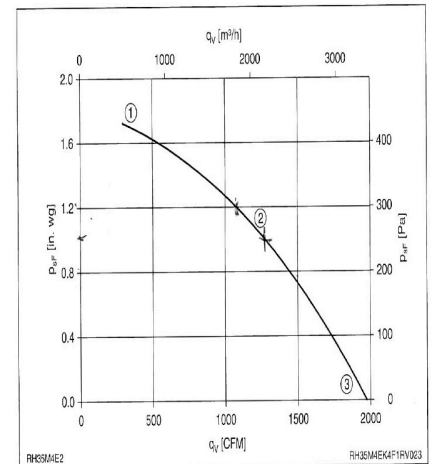
A stand-alone 1000CFM unit in a light chassis for air treatment; combines high efficiency filter with high UV efficiency treatment where the lamp is parallel to the airflow and encase in a highly reflective aluminum case. This unit will provide high output germicidal UVC and HEPA high particulate filtration.

**OPTION**

- **MSCSWC12** – Variable speed control for 120 volts.



**MOTOR LOAD**



MODEL	QTY	COMMENTS	PROJECT:	Drawings for: information approval
			LOCATION:	
			ARCHITECT:	
			ENGINEER:	
			CONTRACTOR:	
			DATE:	