

TECHNICAL SPECS: SANUVAIR® S300 CRO STAND-ALONE WHITE ROOM PURIFIER

DESCRIPTION

The **SANUVAIR® S300 CRO** is designed to recirculate continuously the air in front of the UVC thus filtering and sterilizing at maximum the air in the room. The unit can be installed in the above ceiling space so to clean up the air without taking some inner space and with very little noise.

MOTOR

- Direct drive centrifugal fan with backward curved blades: unit can be positioned upright or sideways, horizontally or vertically
- Motor only: 120v, 1.07a; 230v, 0.54a
120v (part MSCMTR11); 230v (part MSCMTR7)

UNIT

- Painted aluminum casing, 40 pounds (18 KG)
- Dimension: 17" L x 13" P x 31" H (43.2cm X 32.7cm X 79.5 cm)
- Whole unit: 120v-220w, 1.83a (peak 2.1), 230v- 0.92a
- One round intake 8" (top), one round exhaust 8" (bottom)
- One access door: motor and the filters; one for the UV lamps
- Kill switch on door access. 6 feet - 3 prong compute cord
- Two speed – 220 cfm/ 300 cfm
- Aluminum reflector for the UV lamp with access to change lamp
- Sound deadening unit: 59db at 5ft, ducted 54db

STANDARD EQUIPMENT

- 2 "J" lamp 10.5" (part LMPHGJ105) each lamp with 18" UVC (germicidal)
- 1 Pleated pre-filter 2"x 12" x 16" (part MSCFTR10) + 2 extra for replacement
- 1 HEPA filter 2.5" x 12"x16", 99.97% effective on particles down to .03 microns (part MSCFTR11)
- 2 Multi voltage ballast with LED ,110/ 220 v (part #BST120/277GL)

WARRANTY

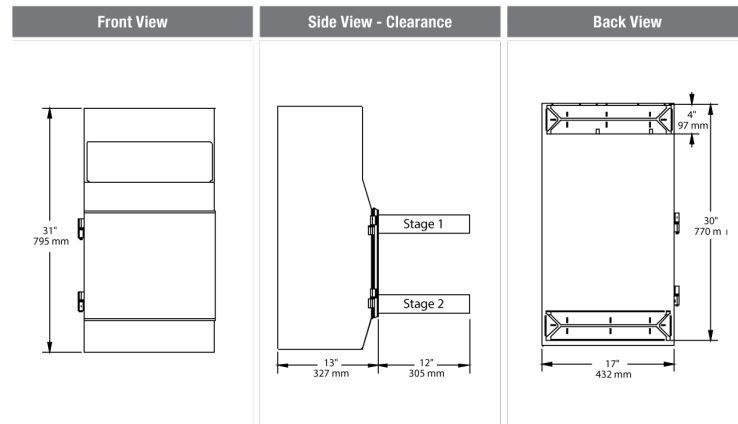
- ballast-3 years, motor-3 years, lamps-2 years

OPTIONS

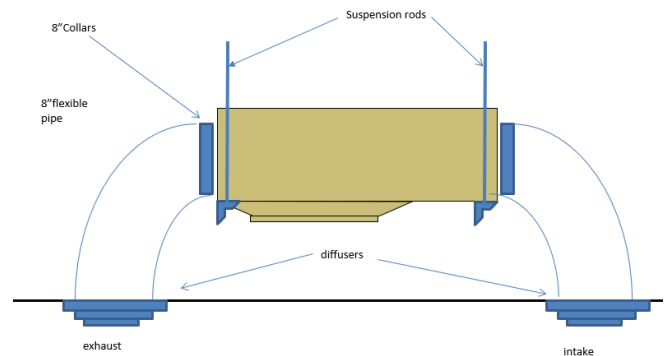
- **MSSCOL1**- 8" collars for ducting intake or exhaust with round ducts.
- **MSCLOU1**- Flat plastic diffuser to install on the 8" top intake or bottom exhaust.

SPECIFICATIONS

Stand-alone 300 cfm UVC-UVV unit in a light insulated chassis for air treatment in a white room. The unit can be mounted either on the ceiling or on a wall to process air through recirculation. A total of 36" of UVC gives this unit enough contact time with bio contaminants in the air to sterilize most biological pollutants and trap the others on the HEPA filter.



SUGGESTED INSTALLATION



MODEL	QTY	COMMENTS	PROJECT:	Drawings for: information approval
			LOCATION:	
			ARCHITECT:	
			ENGINEER:	
			CONTRACTOR:	
			DATE:	

SANUVOX
PURIFYING AIR AT THE SPEED OF LIGHT™

Sanuvox Technologies Inc.
146 Barr.
St-Laurent, Qc.,
H4T 1Y4

p. 1.888.726.8869
f. 1.888.582.6475
e. info@sanuvox.com