

HRV

ULTRAVIOLET AIR PURIFIER

Residential Model



Photos illustrating products are non contractual.

ABOUT THE PRODUCT

The HRV UV air purifier is specifically designed to be connected to the “fresh air to inside duct” of an HRV / ERV unit and will purify the air through the recirculation cycle. With a powerful UVC / UVV (germicidal / oxidizing) lamp, the HRV purifier uses the patented Sanuvox process to destroy the chemical and biological contaminants as well as odors, which would have otherwise been distributed throughout the ventilation system.

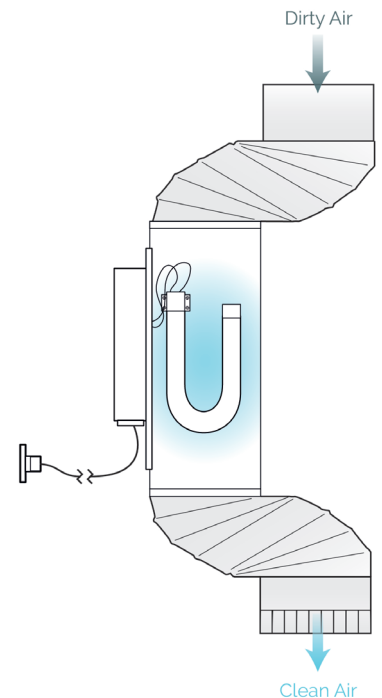
The HRV UV purifier is available in both 6" and 8" diameters.

TECHNICAL SPECIFICATIONS

| | Outside Dimensions | Weight | Power Requirements | Connetion | UV Lamp Type & Dimensions | UV Aluminum Reflector Tube | Certifications | Warranty |
|-------------|------------------------------|----------------|--------------------|------------------------|--|--------------------------------|----------------|------------------------|
| HRV6 | H 9.5" x W 6" (241 x 152 mm) | 3 lb (1.36 kg) | 120V 25 Watts | 6 ft. electric cord | UV 'J' dual zone, Dia. 19 mm, L 6.5" (165 mm) | Dia. 6" x L 12" (152 x 305 mm) | NRTL/C, CSA | Residential: 3-year |
| HRV8 | H 13" x W 6" (330 x 152 mm) | | 120V 40 Watts | | UV 'J' dual zone, Dia. 19 mm, L 10.5" (267 mm) | Dia. 8" x L 15" (203 x 305 mm) | | Commercial: 2-year |

INSTALLATION

1. Unpack the unit.
2. Remove the lamp from packaging.
NOTE: Make sure that the lamp is handled with care as it is made out of quartz. Once the seal is broken, warranty no longer applies for broken lamp.
3. Install the lamp in unit while wearing cotton gloves:
 - Slowly insert the lamp connector over the pins
 - Open the clamp and slide in the lamp porcelain end cap
 - Close the clamp
4. Install the unit with an eccentric duct arrangement as shown in the drawing.
NOTE: UV rays may destroy certain types of polymer or plastic; please keep the unit light away from shining directly on plastic. Make sure that the flexible pipe used is aluminum covered and that no plastic is in direct sight of the UV lamp.
5. Plug the unit to a power source. By default, the unit works on 120V.
6. Once powered, the LED should light up: RED indicating that the ballast works, AMBER for the lamp.



⚠ CAUTION: NEVER LOOK DIRECTLY AT THE LIGHT:
wear glasses and/or face mask protection.

WARRANTY / MAINTENANCE

Unit is guaranteed for 3 years against any defect. Lamp is guaranteed for 3 years for residential use and 2 years for commercial use. Change lamp after these periods to ensure efficiency.