

**TECHNICAL SPECS: SANUVAIR S 1000**  
**AUTONOMOUS ULTRAVIOLET AIR PURIFIER WITH FILTERS**

**Description**

The SANUVAIR S 1000 is an autonomous fan powered ultraviolet air purifier with two filters and a set of 1 to 4 UV lamps.

**ELECTRICAL: 120/240 VAC, 50/60 Hz, 750 W**

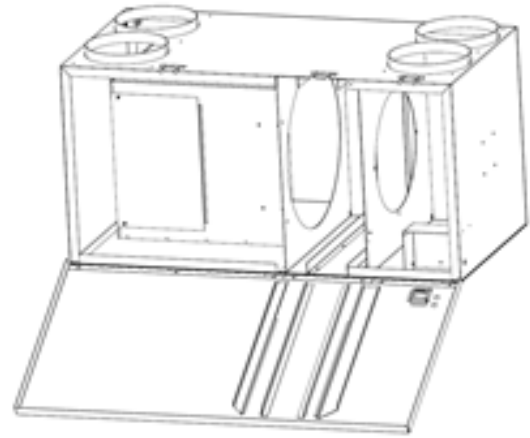
- Fan: 120/240 VAC, 50/60 Hz, 450 W
- Motor : 120 V (# MSCMTR9), 240V (# MSCMTR10)
- Variable speed drive

**UVC Disinfection**

- UV Lamp J 62 W-UVC-254 nm wavelength (# LMPHGJ160)
- Ballast (# BST120/277SHS)
- UVC dosage with 1 lamp: 2.68 mJ/cm2
- UVC dosage with 2 lamps: 5.37 mJ/cm2
- UVC dosage with 3 lamps: 8.05 mJ/cm2
- UVC dosage with 4 lamps: 10.7 mJ/cm2

**FILTRATION**

- Filters dimensions : 20" x 20"
- Standard Prefilter 2" MERV8 (# MSCFTR17)
- Standard filter 4" MERV15 (# MSCFTR1)
- OPTIONNAL : HEPA 99,97% of 4" (part MSCFTR12)
- NOTE : HEPA option limits the air flow to 650 CFM



**FAN performance diagram**

**UNIT:**

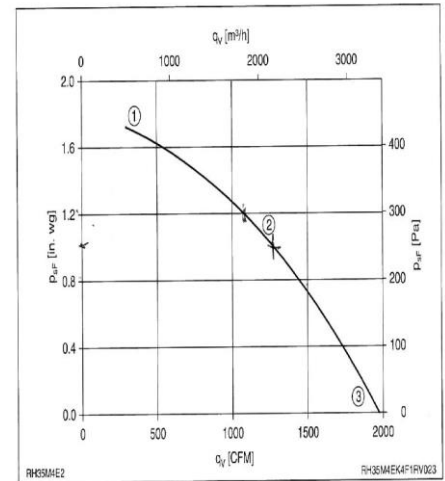
- Dimensions: 20"L x 20" P x 40"H (51 cm X 51 cm X 102 cm)
- Total weight: 59 lbs. (26,8 kg)
- Textured painted aluminum casing
- Two round inlets and two outlets 8" diameter (200 mm) with collars
- Single access door to motor, filters and lamps, with safety switch.
- 6 ft cord with 3 prongs plug
- Sound level: 70 dBA à 5'
- Can be installed vertically or horizontally
- 4 suspension ¼" rod female inserts for horizontal and for vertical install

**WARRANTY**

- Ballast: 3 years
- fan motor: 1 years
- lamp: 2 years

**OPTION**

- **MSCSWC12** – Variable speed control for 120 volts.



MODEL	QTY	COMMENTS	PROJECT :	Drawings for ○ information ○ approval
			LOCATION :	
			ARCHITECT :	
			ENGINEER :	
			CONTRACTOR :	
			DATE :	