

TECHNICAL SPECS: SANUVAIR® S1000 STAND-ALONE UV PURIFIER + FILTERS

DESCRIPTION

The SANUVAIR® S1000 is an air purifier that combines ultraviolet purification and filtration with a powerful 1000 cfm blower. The unit destroys pollutants as well as both chemical and biological odors and contaminants. Used wherever air quality or odor treatment is deficient. Several variants are aimed at specific problems.

FAN

- ROSENBERG 120v (partMSCMTR9), 230v (partMSCMTR10)
- Curved backward impeller, so the unit could be installed in any position
- 1750 cfm no load; 450w, 120v 3.75a, 230v 1.88a

UNIT

- Aluminum casing, textured paint, 59pounds (26.8KG)
- Dimension 20" x 20" x 40" (50.8cm X 50.8cm X 101.6 cm)
- Whole unit: fused 10a, 120v -534 w, 4.45a (peak 6.57a), 230v-2.23a
- Two 8" round exhaust, two 8" round intakes with collars
- Single access door: to motor, filters and lamp's reflector
- Limit switch on door access. Comes with 6 ft cord (3 prong plug)
- 1000 CFM under load, 70 db at 5 ft
- Aluminum reflector with access door to UV lamp
- Middle section: 2 filters 1" x 20" x 20", 1 filter 4" x 20" x 20"
- 4 suspension rod's inserts on horizontal, 4 inserts on vertical

STANDARD EQUIPMENT

- 1 "J" Lamp 16" (partLMPHGXJ160) with 26" of UV-C (germicidal) / 2" of UVV (oxidation)
- 2 pleated pre-filter 1" x 20" x 20" (partMSCFTR2) + 1 filter 4" x 20" x 20" 95% (item MSCFTR1)
- 1 Multi voltage ballasts -120/277 (partBST120/277SHS)

WARRANTY

- Ballast :3-years, motor :1-year, lamp: 2-years

SPECIFICATIONS

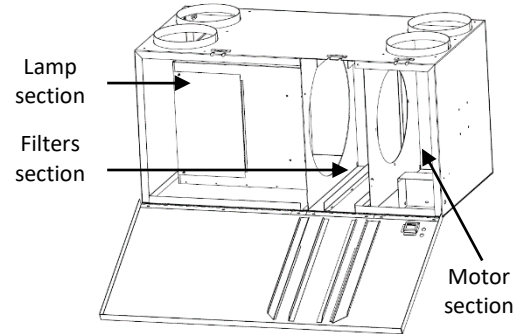
A stand-alone 1000CFM unit in a lightweight chassis for air treatment, combining high filtration and UV purification. The lamp is installed parallel to the flow of air and in an aluminum reflector, thus ensuring an efficient treatment of air, solving either germicidal or odor problems.

OPTIONS

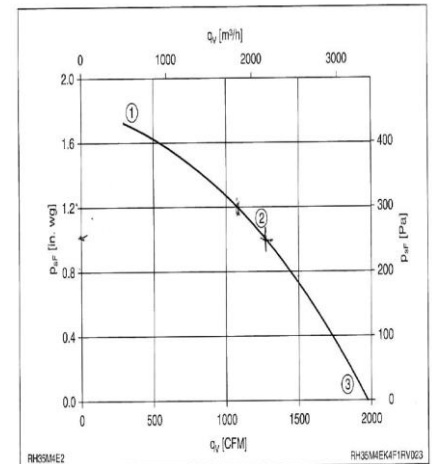
- **MSCSWC12** – Variable speed control for 120 volts.
- **MSCFTR12** –HEPA filter (99.97%) with metal frame 20"x20"X4"

OTHER VERSIONS

- **S1000 VOC** For smoking room -maximum size 15,000 cubic feet
- **S1000 CRO** For white room, hospital, computer room.
- **S1000 OZD** For garbage rooms- maximum size 15,000 cubic feet



MOTOR LOAD



MODEL	QTY	COMMENTS	PROJECT:	Drawings for: ○ information ○ approval
			LOCATION:	
			ARCHITECT:	
			ENGINEER:	
			CONTRACTOR:	
			DATE:	