

TECHNICAL SPECIFICATIONS: ASEPT.1X
UV SYSTEM FOR SURFACE DISINFECTION

Description

The ASEPT.1X unit from SANUVOX takes surface disinfection to the next level by automatically disinfecting one of the most contaminated & problematic areas of a medical facility that may contribute to HAIs, the bathroom. Completely automated with features such as safety door switches and redundant infra-red motion detectors, the ASEPT.1X will only operate in an unoccupied bathroom basking high-touch areas with high-intensity UVC (254 nm) germicidal light achieving up to a 6 log reduction on contaminants such as MRSA, C. difficile & VRE.

Electrical

- Power 110V AC, 60Hz, 1.5 Amp per unit (also available Power 230V 50Hz/60Hz)
- Power consumption 165W (166VA)
- Unit in standby .375W (1.8 VA)

Unit

- Structure made of aluminum, casing of powdered coated painted steel
- Nickel plated grill protects lamps & makes for easy access for lamp replacement
- Size: 8 in. (20.3 cm) H, 33.2 in. (84.3 cm) W, 5.29 in. (13.4 cm) D, weight 15.5 lbs. (7.0 kg) per unit
- UVC lamps (2) T6 quartz 30 in (76.2 cm), high cycle gas mix (item LMPHGS300-8)
- Ballasts (2) High-intensity multi voltage (110-277) (item BST120/277SHS)
- Fuse : AGC 2.5 Amp
- Motion detectors (PIR): two (2) per unit
- On/off rocker switch

Electronics components

- Micro controller board
- Lamp detection function

Warranty

- Ballasts: 3 yrs., lamps: 1 yr., electronic: 1 yr.

Certification

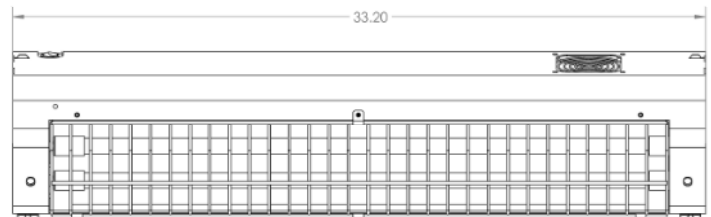
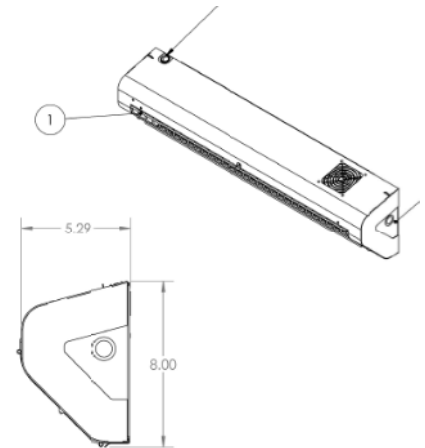
- ULC SPE-1000

Accessories included

- Surface magnetic door contact w/ wire set

Operation details

The ASEPT.1X UV system is designed to disinfect one of the most problematic rooms in a hospital, the bathroom. Each time the door is closed and the bathroom is vacated, the ASEPT.1X UV system will automatically disinfect high-touch areas with a lethal dose of UVC for 5 minutes. When the bathroom is vacant for an extended period of time, a preventive disinfection cycle will be performed every 4 hours. Should the door be inadvertently opened during the disinfection, the door switch will immediately stop the disinfection cycle. Safe and maintenance free (except for annual lamp replacement) the system will provide years of worry free UV disinfection.



MODEL	QTY	COMMENTS	PROJECT:	Drawings for <input type="checkbox"/> Information <input type="checkbox"/> Approval
			SITUATION:	
			ARCHITECT:	
			ENGINEER:	
			DATE:	