

TECHNICAL SPECS: SANUVAIR® S1000
STAND ALONE UV/FILTER AIR PURIFIER

Description

The SANUVAIR® S1000 is a combination Ultraviolet and Filter Air Purifier with a powerful motor fan. The SANUVAIR® S1000 is designed to destroy the harmful pollutants and odors, other chemical and biological contaminants. It can be used in smoking rooms, garbage rooms, change room, clean room etc., with the appropriate options.

Curved backward impeller:

- ROSENBERG 115v (partMSCMTR9), 230v (partMSCMTR10)
- AXIAL motor, so the unit could be installed in any position
- 402 watts, 3.35-amp (120v), 1.75-amp (230v)
- 1750 CFM (no load)

Unit

- Aluminum casing, textured paint, 59pounds (26.8KG)
- Dimension 20" x 20" x 40" (50.8cm X 50.8cm X 101.6 cm)
- Whole unit: Fused 10 amps, 468 w 3.9-amp 120v, 2.03-amp 230v
- Two 8 in round exhaust, two 8 in round intakes with collars
- Single access door: to motor, filters and lamp's reflector
- Limit switch on door access. Comes with 6 ft cord (3 prong plug)
- 1000 CFM under load, 70 db at 5 ft
- Aluminum reflector with access door to UV lamp
- Middle section: 2 filters 1"x 20" x 20", 1 filter 4" x 20" x 20"
- 4 suspension rod's inserts on horizontal, 4 inserts on vertical

Standard equipment

- 1 J Lamp 16 in (partLMPHGJ160) with 26 in UV-C (germicidal)/2 in UV-V (oxidation)
- 2 pleated pre-filter 1 x 20 x 20 (partMSCFTR2), 1 pleated filter 4" x 20" x 20" 95% (partMSCFTR1) **optional** 1 HEPA filter 4" (partMSCFTR12)
- 1 FULHAM ballast -Workhorse 5 115V (partBST120W5) 230V (partBST230W5)

Warranty

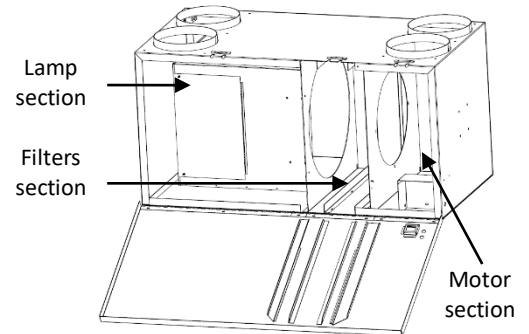
- Ballast :3-years, motor :1-year, lamp: 2-years

Specifications

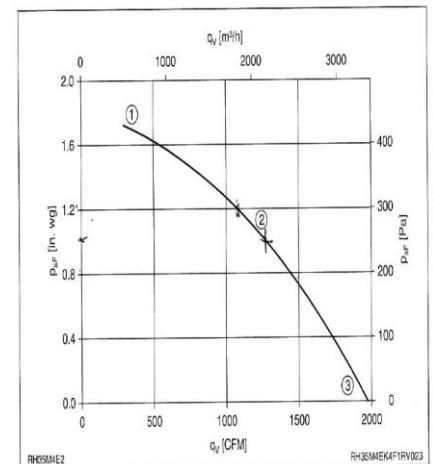
A stand-alone 1000CFM unit in a light chassis for air treatment; combines high efficiency filter with high UV efficiency treatment where the lamp is parallel to the airflow and encase in a highly reflective aluminum case. UV lamp will provide high output germicidal UVC and if needed UV-V oxidation to attack chemical and odours.

OPTIONS

- **For smoking room, nails salon, diesel odours, etc.**
 - **SUBKITVOCS1000:** factory installed option includes (1) VOC sensor (1) BST120W5 ballast or BST230W5 (PLEASE SPECIFY) (1) LMPHGJ160 UV-V "J" lamp. Applications Smoking room, Nails Salon, diesel odors etc...
- **For clean rooms, hospital, computer rooms**
 - **SUBKITCROS1000:** factory installed option includes (1) HEPA 99,97% filter (1) BST120W5 ballast or BST230W5 (PLEASE SPECIFY) (1) LMPHGJ160 UV-C "J" lamp.
- **For garbage rooms**
 - **SUBKITOZDS1000:** factory installed option includes (1) ozone controller set to .025 ppm., (1) BST120W5 ballast or BST230W5 (PLEASE SPECIFY) (1) LMPHGJ160 UVV "J" lamp.



MOTOR LOAD



MODEL	QTY	COMMENTS	PROJECT :	Drawings for ○ information ○ approval
			LOCATION :	
			ARCHITECT :	
			ENGINEER :	
			CONTRACTOR :	
			DATE :	