

OPERATION

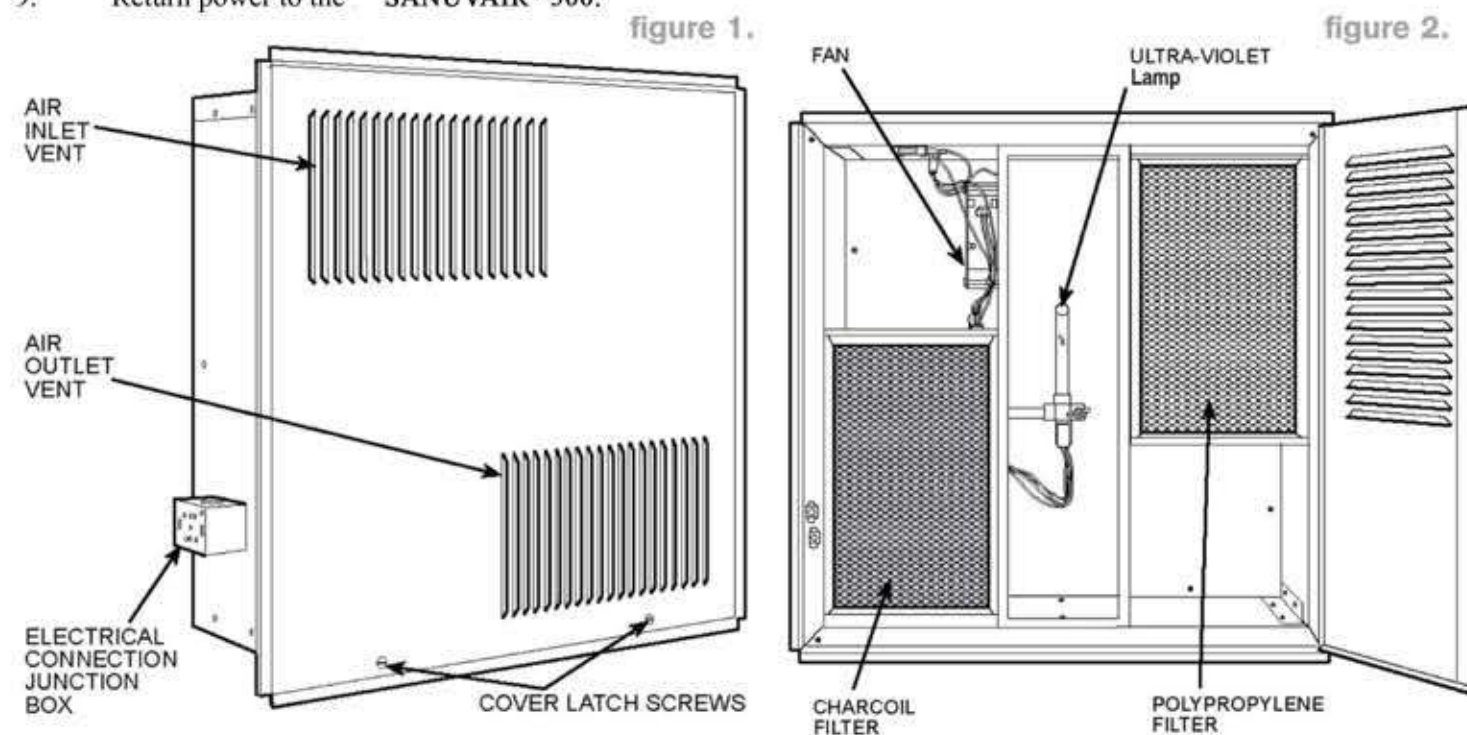
If wired directly to a dedicated power source, the SANUVAIR® 500 will operate continuously. If wired in parallel with other devices, such as overhead lighting, the SANUVAIR® 500 will operate only when the circuit is energized. The internal fan circulates air through the device. Room air is drawn in through the polypropylene filter and passes by the Ultraviolet lamp. The purified air exits through the charcoal filter. A safety switch is provided to stop operation if the cover is opened. Do not hold down door interlock switch when cover is open. The Ultraviolet lamp will energize which may cause injury to eyes and exposed skin. Never expose eyes or skin to direct UV light.

MAINTENANCE

Disconnect all power before performing any maintenance or service. Filter media should be cleaned once a year or when filters become clogged and restrict airflow. Lamp Replacement — The lamp needs periodic replacement to maintain design specifications. Replace lamp after 2 years of operation.

Use only specified lamps with this accessory. Use of an incorrect lamp may result in damage to accessory or lamp. Only lamps with the Part No. LMPRGXJ65 (UVC/UVV) or LMPRGJ65 (UVC only) can safely be used with the SANUVAIR® 500. Other lamps may plug into the accessory, but they should not be used. To change the lamp, perform the following procedure:

1. Disconnect all power to the SANUVAIR® 500.
2. Open the cover of the air purifier by turning the locking screws one quarter turn to the right. Cover will swing down. See Fig. 1.
3. Remove wiring plug from lamp. See Fig. 2.
4. Loosen wing nut on clamp holding lamp in place. Slide out lamp and discard.
5. Insert new lamp in clamp, making sure the foam strip on the lamp's end-cap is inside the clamp. Handle lamp by ceramic ends only. Do not touch lamp glass without gloves. Decreased performance of lamp may result. Clean lamp after handling.
6. Tighten wing nut to hold lamp in place. Be careful not to over-tighten.
7. Push wiring plug onto end of lamp. If plug does not fit, rotate plug 90 degrees and try again. Plug will only fit onto lamp in correct orientation.
8. Close cover. Make sure locking screws are pushed in completely and cover is completely closed.
9. Return power to the SANUVAIR® 500.



The use of Ultraviolet Light for Air Purification is perfectly safe when following these cautions:

WARNING

Never expose eyes or skin to ultraviolet light from any source. The Purifier **MUST** be **DISCONNECTED** from power source before performing maintenance or service. Personal injury may result.

Do not touch lamp glass without gloves. Reduced performance of lamp may result. Clean lamp after handling.

The UV lamp contains a small quantity of mercury. If a lamp breaks, clean and dispose according to regulations in your area.

Use only specified replacement lamps with your Purifier. Use of an incorrect lamp can result in damage to the Purifier and/or lamp.

PLEASE SAVE FOR YOUR RECORDS

Date Installed: _____

Installed By: _____

Installers Contact info.: _____

Congratulations on the purchase of your new Sanuvox Ultraviolet Air Purifier. Sanuvox UV Air Purifiers are the most advanced Air Purification Systems available, having been proven to destroy up to 99.999% of Biological & Chemical contaminants that circulate throughout your home or facility. Sanuvox Systems have been tested by The EPA (Environmental Protection Agency), The National Homeland Security Research Center, Medical Universities and Independent 3rd Party Laboratories.

The **SANUVAIR® 500** is designed to treat up to 500 square-feet of space (per unit) destroying biological & chemical contaminants.

SAFETY CONSIDERATIONS

Installation and servicing of air-conditioning equipment can be hazardous due to electrical components. Only trained and qualified service personnel should install, repair, or service air-conditioning equipment. Untrained personnel can perform basic maintenance functions such as changing lamps or filters. All other operations should be performed by trained service personnel. When working on air-conditioning equipment, observe precautions in the literature, tags and labels attached to the air purifier, and other safety precautions that may apply. Follow all safety codes. Wear safety glasses and work gloves.

Before installing or performing maintenance or service on the **SANUVAIR® 500**, turn off main power. Electrical shock can cause injury or death. There may be more than one disconnect switch.

Never expose eyes or skin to ultraviolet light from any source. Lamp must be off before performing maintenance or service. Personal injury may result.

Use only specified replacement lamps with this accessory. Use of an incorrect lamp can result in damage to accessory or lamp. Replacement lamps are Part No. LMPRGXJ65 (UVC/UVV) or LMPRGJ65 (UVC only).

Do not touch lamp glass without gloves. Decreased performance may result. Clean lamp after handling.

Lamps contains a small quantity of mercury. If a lamp breaks, clean and dispose with care.

MAINTENANCE

There is very little maintenance to be done on the **SANUVAIR® 500**. Periodic cleaning of the inlet filter may be performed. The UV lamp can function for many years, but over time the UV wavelength does decrease. For best results, the UV Lamp should be replaced every two years guaranteeing the highest performance.



figure A.

GENERAL

The Sanuvox **SANUVAIR® 500** Ceiling Mount is designed to destroy biological and chemical contaminants. The air purifier is installed in the ceiling of the building. An internal fan circulates air through the ceiling-mounted air purifier.

INSTALLATION

The **SANUVAIR® 500** Ceiling-mounted is installed in a 2 ft by 2 ft area in a suspended ceiling at least 8-in. deep (see figure A.) . Make sure there is adequate clearance (at least 2 ft) for the door to swing down for service or maintenance. Make sure the installation location can be supplied with the necessary power requirements. The **SANUVAIR® 500** has a power consumption of 25 Watts and require a 120V, 60 Hz power source. The operating temperature range is 50° to 115°F. Operating the air purifier outside this range will result in decreased performance.

NOTE: The device is NOT waterproof. Do not install outdoors. No assembly is required. Make sure the plastic covering the charcoal filter is removed before operation.

Installation

1. Turn off main power switch.
2. Remove ceiling tiles in area where **SANUVAIR® 500** is to be installed.
3. Field-supplied hardware is required to install the **SANUVAIR® 500** in the suspended ceiling. Attachment holes are provided on each corner to attach support wires. Field-supplied brackets may also be used.
4. Remove wiring junction box cover from side of the **SANUVAIR® 500** air purifier. See Fig. 1. Squeeze the sides of the cover and pull out to remove.
5. Route the incoming power wiring through the hole in the side of the junction box cover.
6. Connect wiring to the **SANUVAIR®** air purifier with field-supplied wire caps. Connect green wire to ground. Connect white and black wires to power supply. Ultraviolet lamp may be wired in parallel (with overhead lighting, for example) or lamp may have a separate power supply. All field wiring must comply with NEC and all local requirements.
7. Reinstall junction box cover.
8. Reinstall ceiling tiles around germicidal air purifier, cutting tiles when necessary. Do not obstruct airflow to and from germicidal air purifier.
9. Restore power.

Trouble-Shooting the UV Lamp

Checking the UV Lamp

Sanuvox Ultraviolet lamps are built to the highest standards. If at anytime you cannot see the 'Glow' of the UV lamp through the outlet louvers it may be because the Lamp has failed. To check the UV lamp **DISCONNECT FROM POWER SOURCE**. Disconnect the socket from the Lamp.

Placing one of the probes of an ohmmeter to one of the four pins on the end of the lamp, touch the other probe of the ohmmeter to each of the other pins until you find the matching pin. The ohmmeter will read approximately 3 ohms (almost a short). This indicates that the filament is good. Check the opposite two pins. If both sets of filaments test OK, the lamp is functioning. If one or both sets of filaments read an open circuit (infinity) on resistance, the lamp is defective.