

SANUVOX

Troubleshooting guide for Bio-Wall MAX



WARNING

Disconnect all power sources before servicing or touching any internal components

Sanuvox Technologies, Montréal

www.sanuvox.com

April 2017

Table of content

List of tools needed for troubleshooting 3

Electrical box of the Bio-Wall MAX 3

Circuit board of the Bio-Wall MAX..... 3

Introduction 4

Identification of status mode..... 4

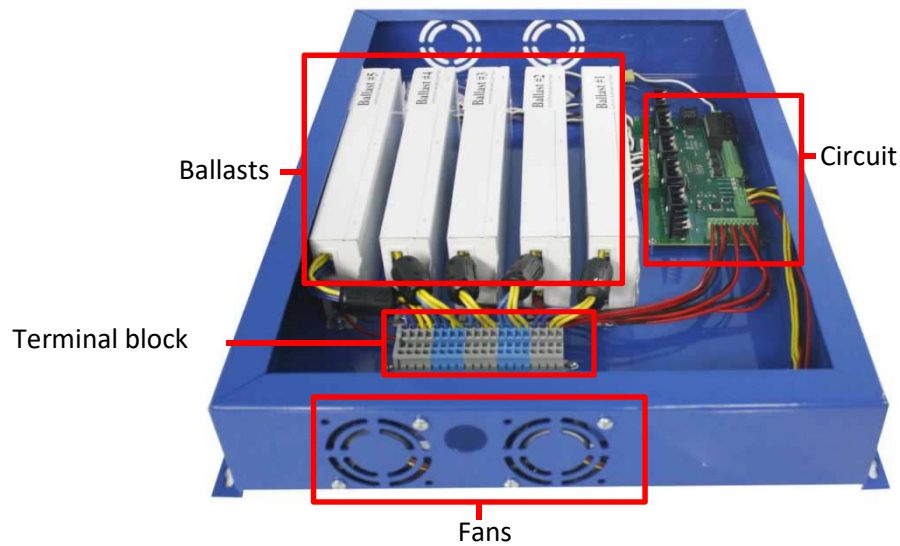
Troubleshooting..... 5

Step by Step 7

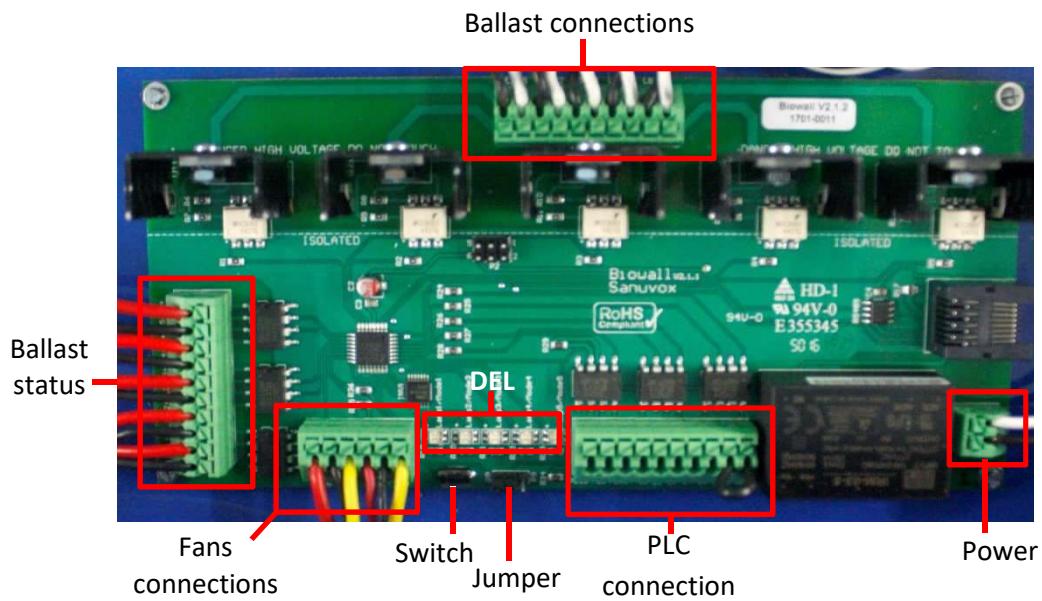
List of tools needed for troubleshooting

- Flat head screwdriver
- OHM meter

Electrical box of the Bio-Wall MAX



Circuit board of the Bio-Wall MAX



Introduction

Open the ballast box and identify all the components:

- Power cable
- PLC Connection
- Fan connection
- Ballast connection
- LED function/mode
- Ballast status

Identification of status mode

1. Disconnect power form the Bio-wall MAX and wait 5 seconds
2. Reconnect the power (LEDs will flash red/green for 5 seconds)
3. All LED will turn red except one LED that will be green which corresponds to the status mode

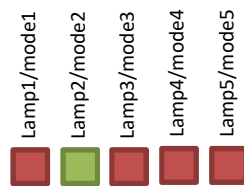


Figure 1 - Mode 2 sélectionné

4. Remember selected mode

*Refer to installation instruction for each status mode details

Troubleshooting

Problems	Possible causes:	Try the following:
LEDs are not ON	<ul style="list-style-type: none"> • The power cable to the ballast box is not connected properly • Power cable is defective • There is no power to the outlet • The breaker is not ON • The PCB is damaged 	<ul style="list-style-type: none"> • Make sure the power cable is connected • Change the power cord • Test the outlet to make sure there is power by using another electrical appliance. • Make sure the breaker is ON • Contact Sanuvox for a new PCB
Some LEDs are red	<ul style="list-style-type: none"> • The lamp or ballast where Led is red is defective • Connection problem between the ballast and the PCB 	<ul style="list-style-type: none"> • Replace lamp or ballast corresponding to the red LED • Verify connection between ballast and PCB • Verify wires that send ballast signal to PCB • Verify wire connection of ballast and lamps on the terminal block
ALL LEDs are red	<ul style="list-style-type: none"> • Jump or contactor are defective • Access door is open • No signal on the PLC board or jumper is not inserted properly (Mode 3 only) • Fans are not working 	<ul style="list-style-type: none"> • Verify that jumper and contactor are working • Make sure access door is closed tightly • Connect 24 VDC to « PLC » (Mode 3 only) • Insert the jumper in « BP » position for automatic start up (Mode 3 only) • Make sure the fans are not obstructed or replace them
Some LEDs are flashing red/green	<ul style="list-style-type: none"> • Lamp where the LED is flashing has been on for more than 2 years. 	<ul style="list-style-type: none"> • Change lamp and reset counter by pressing the button on the PCB for 5 seconds <p>Note : Counter will be reset for ALL lamps</p>
Lamps are not ON	<ul style="list-style-type: none"> • Access door is open • No signal on the PLC or the jumper is not well inserted (Mode 3 only) • Fans are not working • No Power to the ballast box 	<ul style="list-style-type: none"> • Make sure access door is closed tightly • Connect a 24 VDC on the « PLC » (Mode 3 only) • Insert the jumper in « BP » position for automatic start up (Mode 3 only) • Make sure the fans are not obstructed or replace them • See LEDs are not (Go to #1)

<p>Some lamps do not come ON</p>	<ul style="list-style-type: none">• Lamp is defective• Ballast is defective• Connection between ballast and PCB• Connection between ballast and lamp	<ul style="list-style-type: none">• Change a working lamp with the defective lamp to confirm a lamp out or ballast out• Verify wire connection between ballast and PCB• Verify wire connection of ballast and lamps on the terminal block
----------------------------------	---	---

Step by Step

